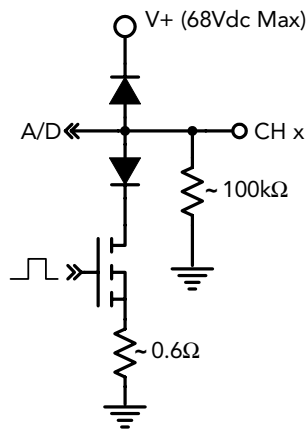
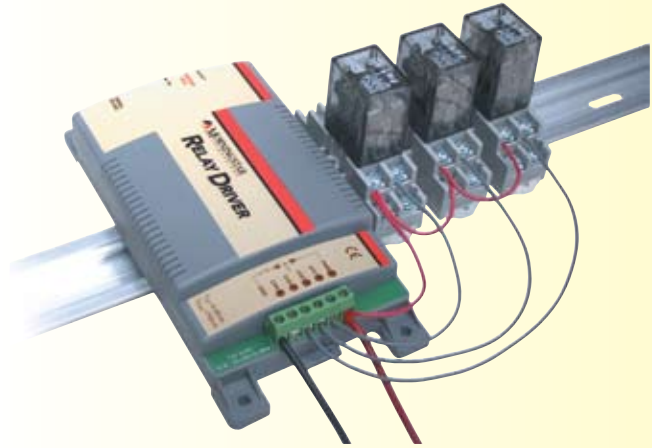


RELAY DRIVER™ LOGIC MODULE ACCESSORY



General Channel Schematic



DIN Rail Mounted Relay Driver with Relays

TECHNICAL SPECIFICATIONS

Electrical

- System Voltage 12 to 48 Volts*
- Max. Channel Current 750 mA
- Accuracy
 - Voltage 2% ± 50 mV
 - Temperature ± 2°C
- Min. Operating Voltage 8 Volts
- Max. Operating Voltage 68 Volts
- Self-consumption < 20 mA
- Temperature Sensor Range -40°C to +85°C
- Transient Surge Protection 1500 W / channel
- Comm. Ports (opto-isolated)
 - (2) RJ-11 meter bus connections
 - (1) 9-pin serial RS-232

*voltage of user selected relays must be same as battery voltage

Electronic Protections

- Reverse Polarity Protection
- Short-Circuit Protection
- Overcurrent Protection
- Lightning and Transient Surge Protection

Mechanical

- Dimensions
 - Length: 16.3 cm / 6.4 inch
 - Width: 8.1 cm / 3.2 inch
 - Depth: 3.3 cm / 1.3 inch
- Weight 0.2 kg / 0.4 lb
- Largest Wire 1.0 to 0.25 mm²
16 to 24 AWG
- Torque Terminals 0.4 Nm / 3.5 in-lb
- Enclosure Type 1, indoor rated
- DIN Rail Attachment 35 mm standard

Environmental

- Operating Temperature -40°C to +45°C
- Storage Temperature -55°C to +85°C
- Humidity 100% (NC)
- Tropicalization Conformal coating on both sides of printed circuit board

WARRANTY: Five year warranty period. Contact Morningstar or your authorized distributor for complete terms.

AUTHORIZED MORNINGSTAR DISTRIBUTOR:



8 Pheasant Run
Newtown, PA 18940 USA
Tel: +1 215-321-4457 Fax: +1 215-321-4458
E-mail: info@morningstarcorp.com
Website: www.morningstarcorp.com

