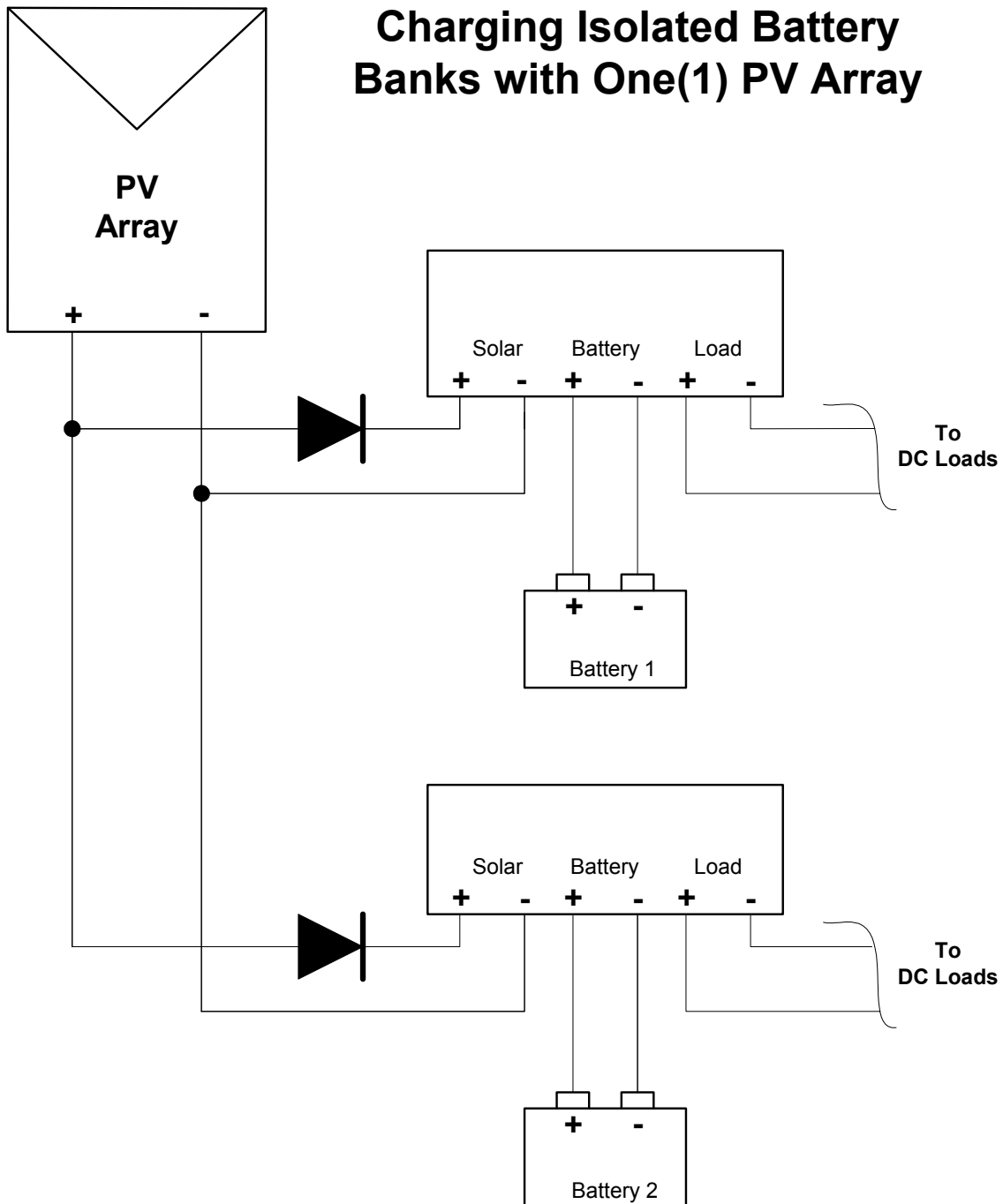


Charging Isolated Battery Banks with One(1) PV Array



*Notes:

Rating of the PV Array cannot exceed the rating of the lowest rated controller

Applies to any Morningstar charge controller.

Use blocking diodes rated sufficiently for your system.

Use appropriate fusing and disconnects